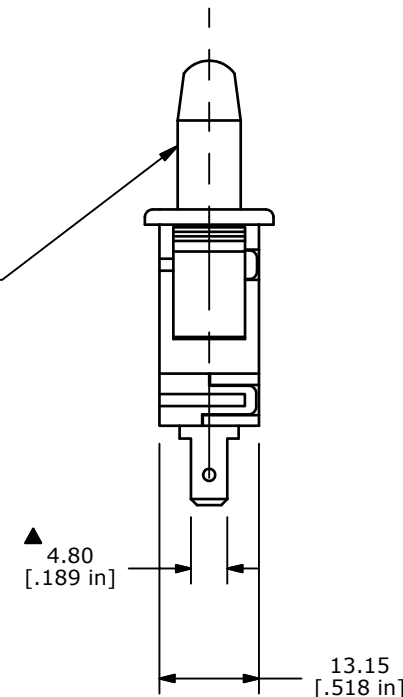
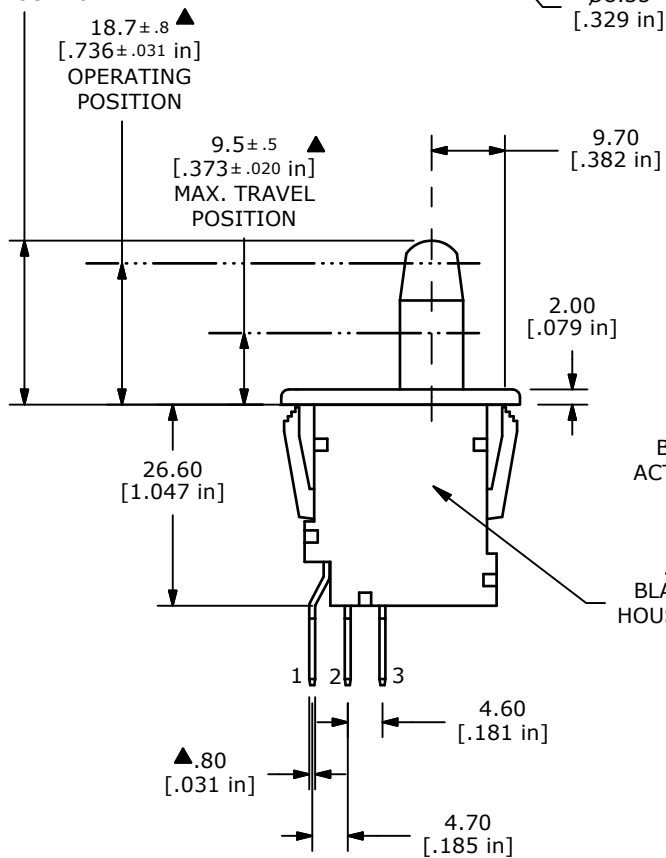


SPDT  
CONTACT CONFIGURATION ▲

21.7±.5 ▲  
[.854±.020 in]  
FREE POSITION

18.7±.8 ▲  
[.736±.031 in]  
OPERATING POSITION

9.5±.5 ▲  
[.373±.020 in]  
MAX. TRAVEL POSITION



- NOTES:
1. ALL DIMENSIONS IN MM
  2. GENERAL TOLERANCE: X.X=±0.4  
X.XX=±0.25
  3. TERM. NOS. FOR REFERENCE ONLY
  4. ELECTRICAL LIFE: 6,000 CYCLES
  5. OPERATING TEMP: 0°C TO 85°C
  6. CONTACT RESISTANCE: 30mΩ MAX. INITIAL
  7. 2002/95/EC (ROHS) COMPLIANT
  8. ▲ DENOTES CRITICAL PARAMETER
  9. CONTACT RATING: UL 16A 125VAC, 12A 250VAC, 1HP/250VAC



TITLE PP1-1B7 1A1

A	21778	New Release	1/29/15	rc
REV	PCR NO	DESCRIPTION	DATE	BY

SCALE 1:1	DATE 1/29/2015	DR rc	DWG 34-PP11B71A1	REV A
-----------	----------------	-------	------------------	-------

THE INFORMATION CONTAINED IN THIS DOCUMENT IS PROPRIETARY TO E-SWITCH AND IS NOT TO BE COPIED OR TRANSFERRED